

**ELECTRIC TRAILER JACK**  
**3500-LB. CAPACITY**  
**OWNER'S MANUAL**



**WARNING:**

Read carefully and understand all **ASSEMBLY AND OPERATION INSTRUCTIONS** before operating. Failure to follow the safety rules and other basic safety precautions may result in serious personal injury.

**Item# 590-2102**

## INTENDED USE

This electric trailer tongue jack is a 12V motor-driven jack that makes coupling and uncoupling from the hitch on travel trailers and boat trailers an easier operation.

New Industrial design cover, more waterproof. Improved LEDs illuminate area to front of jack for superior nighttime visibility.

Available with hot wire (Black) and ground wire (white) for direct grounding.

## TECHNICAL SPECIFICATIONS

Property	Specification
Item#	590-2102
Type	12V DC A-Frame
Lift Capacity (lbs.)	3,500
Clearance: Bracket to Jack Top (in.)	22
Length of Travel (in.)	18
Length Retracted (in.)	9-1/2 (Measured from ground to centre of mounting point)
Length Extended (in.)	32 (Measured from ground to centre of mounting point)
Drop Leg Travel (in.)	4-1/2
Jack Tube Size (in.)	2-1/4
Ground Support	Foot pad
Wire	hot wire (Black) and ground wire (white)

### Tools and Components Required

- Three Grade 5, 1in. Long, 3/8in.-16 UNC Bolts (included)
- Three 3/8in. Flat Washers (included)
- Three Lock Washers (included)
- 7/16in. Wrench (owner supplied, not included)
- Torque Wrench (owner supplied, not included)
- Wire Cutters (owner supplied, not included)
- Wire Strippers (owner supplied, not included)
- Crimpers or Soldering Iron (owner supplied, not included)

## GENERAL SAFETY RULES



**WARNING: Read and understand all instructions.** Failure to follow all instructions listed below may result in serious injury.



**CAUTION:** Do not allow persons to operate or assemble this electric jack until they have read this manual and have developed a thorough understanding of how the hand truck works.



**WARNING:** The warnings, cautions, and instructions discussed in this instruction manual cannot cover all possible conditions or situations that could occur. It must be understood by the operator that common sense and caution are factors which cannot be built into this product, but must be supplied by the operator.

## SAVE THESE INSTRUCTIONS

### IMPORTANT SAFETY CONSIDERATIONS

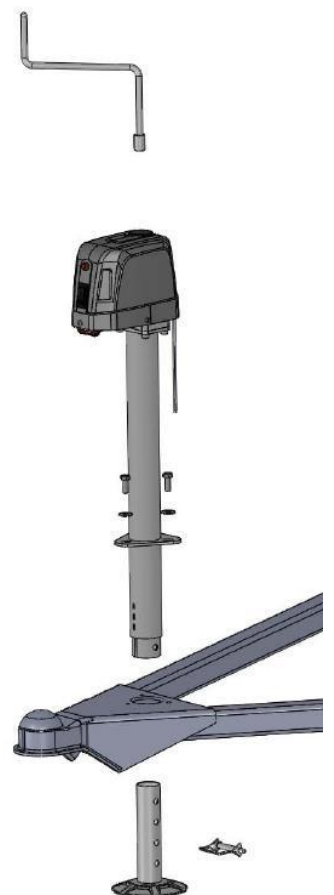
#### JACK USE AND CARE

- **Do not modify the jack in any way.** Unauthorized modification may impair the function and/or safety and could affect the life of the equipment. There are specific applications for which the **jack** was designed.
- **Always check for damaged or worn out parts before using the jack.** Broken parts will affect the **jack** operation. Replace or repair damaged or worn parts immediately.
- **Do not force the trailer jack.** Do not attempt to lift more than the maximum lifting capacity of 3500-lb.
- **Never attempt to adjust the drop leg when there is any load on the jack.** When using the drop foot or drop leg, make certain the supplied pin is fully inserted through both sides of the inner tube and the drop tube before using the jack.

### INSTALLATION INSTRUCTIONS

**Before installation, compare the lift capacity of the electrical jack with your trailer to ensure safe operation of the jack.**

1. Park the trailer on a level surface and block the wheels.
2. This trailer jack has been designed to attach to the top surface of the A-frame coupler.
3. Disconnect the trailer battery ground trailer.
4. Detach the drop leg (#23) of the jack by removing the lock pin (#22) and sliding it out.
5. Position the drop leg (#23) in line with the mounting hole with the foot of the drop leg on the ground.
6. Support the trailer tongue by the frame with jack stands (no included).
7. If replacing an old jack, remove the old jack from the coupler, saving the washers and bolts.
8. Insert the electric jack into the jack hole and align the bolt holes so the motor housing is facing forward as show in Figure 1.
9. Secure the jack with three Grade 5, 3/8in.-16UNC bolts and washers



(not included). Remove paint from around one bolt hole on the jack, and from around the matching bolt hole on the trailer tongue. If the paint layer is thick, add a flat washer between the jack and the trailer to provide good contact. Exposed metal can be painted after assembly to prohibit corrosion. Bolts should be tightened to 15-20 ft.-lbs.

**Tip:** The salvaged bolts from the old jack are acceptable for reuse if they are Grade 5 and in good condition.

10. If a lower support plate is not already present, install one in the bottom of the trailer frame. Do not operate the jack without a lower support plate.
11. Route the wire lead from the plastic cover along the trailer to the battery. Attach the wire lead to the trailer using cable ties or equivalent.
12. Connect the wire lead from the jack directly to the positive (+) terminal of the battery. This unit has a built-in circuit breaker which automatically trips and resets. Reconnect the battery ground cable. **This unit is available with direct grounding wire to trailer battery, one hot wire (Black) and one ground wire (white) for direct and better grounding.**

**Warning:** when using an extension wire, **DO NOT** use a wire smaller than #10 gauge.

## OPERATION

1. Park the trailer on a level surface and block the wheels.  
**Tip:** For nighttime hookups, turn the light switch (#3) **ON** to illuminate your work area.
2. Before operating the jack, extend the foot pad (#23) to the appropriate length and secure in place with the 3/8" safety lock pin (#22) provided.



**WARNING:** Do not stack blocks under the jack's foot to increase the height. Stacked blocks may become unstable and fall.

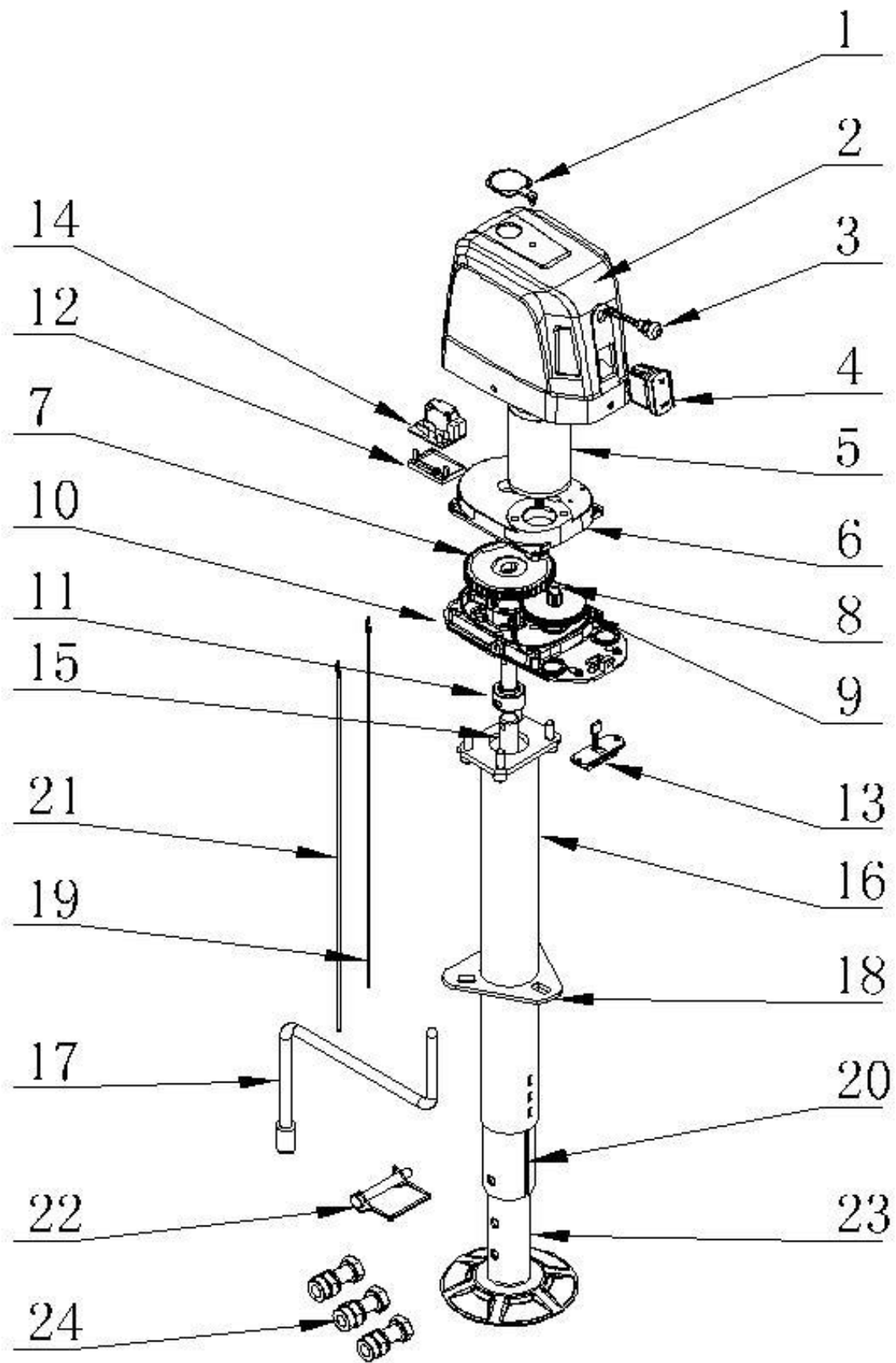
3. Extend the jack by pushing the operating switch (#4) **UP**.  
**Note:** Under heavy use, the internal circuit breaker may open, causing the motor to switch off. In this case, release the operating switch, and wait 15 seconds for the breaker to reset before resuming operation.
4. Retract the jack by pushing the operating switch(#4) **DOWN**.  
**Note:** If you attempt to extend or retract the jack and it does not respond, it may be at the end of the stroke. If the jack fails to respond, try operating it in the opposite direction. If it will not operate in either direction refer to the troubleshooting guide.
5. After hitching the trailer to a tow vehicle, slide the foot pad (#23) fully into the jack tube, secure it with the safety lock pin (#22) and retract the jack tube. You may have to raise the jack tube slightly to release pressure on the safety lock pin.
6. Before driving, remove the foot extension.

## Troubleshooting

Refer to below troubleshooting guide if the device does not function properly or parts are missing. If unable to do so, have a qualified technician service the device.

Failure	Possible Cause	Corrective Action
Motor will not operate	No or Low Voltage	Check battery & electrical connections. Must have minimum of 10 VDC. If the battery is low, plug the trailer cable into the tow vehicle, and start the tow vehicle to provide power to the jack.
	Poor Ground	Clean area between the jack mounting plate and coupler, and ensure paint has been removed by the star washers. Direct metal-to-metal contact must exist between mounting components to ensure good electrical contact. Check electrical connections.
	Open Internal Circuit Breaker	Wait 15 seconds for breaker to close
	Loose Wires on ON/OFF Switch	Secure wire connections
	ON/OFF Switch Faulty	Replace switch
	Motor Faulty	Replace motor
Light doesn't work	Bad light bulb and/or switch	Replace light and/or switch
Motor Clutch Engages	Jack leg is at fully retracted or extended position	None, but let go of switch when you hear the clutch
	Worn gear	Replace gear
	Dirty Inner Tube	Clean inner tube
	Bent Inner Tube	Replace inner tube
	Clutch Faulty	Replace motor
	Excessive tongue weights	Determine if jack is adequate for tongue weight

# EXPLODED VIEW



## PARTS LIST

Parts No.	Description	Qty
1	Override Protection Cover	1
2	Large Plastic Cover	1
3	LED Light Switch	1
4	Up/Down Switch	1
5	Motor	1
6	Gear Cover	1
7	Main Gear Drive	1
8	Pinion Gear	1
9	Helical Gear	1
10	Main Gear Housing	1
11	Drive Shaft	1
12	Insulating Plate	1
13	LED Light	1
14	Wiring Board	1
15	ACME Screw	1
16	Outer Tube	1
17	Crank	1
18	Mounting Plate	1
19	Power Supply Wire (black color)	1
20	Inner Tube	1
21	Ground Wire (white color)	1
22	Lock Pin	1
23	Drop Leg Footpad	1
24	Mounting Hardware	1set

### Limited 1 years Warranty

We make every effort to assure that its products meet high quality and durability standards, and warrant to the original purchaser that this product is free from defects in materials and workmanship for the period of **one** year from the date of manufacture, provided that installation and use of the product is in accordance with product instructions.

This warranty does not apply to damage due directly or indirectly, to misuse, abuse, negligence or accidents, repairs or alterations outside our facilities, criminal activity, improper installation, normal wear and tear, or to lack of maintenance. We shall in no event be liable for death, injuries to persons or property, or for incidental, contingent, special or consequential damages arising from the use of our product. Some states do not allow the exclusion or limitation of incidental or consequential damages, so the above limitation of exclusion may not apply to you. THIS WARRANTY IS EXPRESSLY IN LIEU OF ALL OTHER WARRANTIES, EXPRESS OR IMPLIED, INCLUDING THE WARRANTIES OF MERCHANTABILITY AND FITNESS.